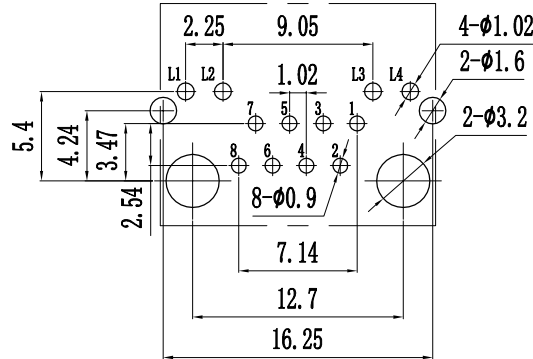
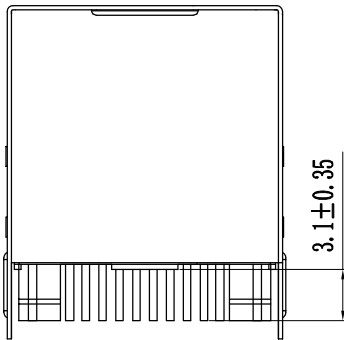
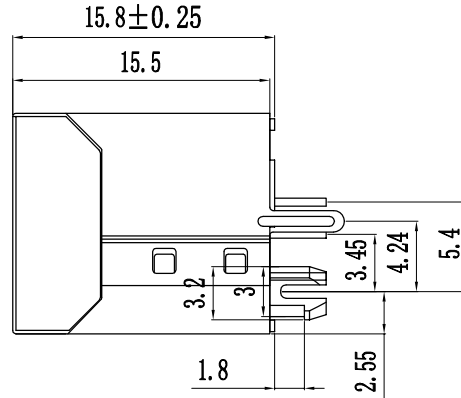
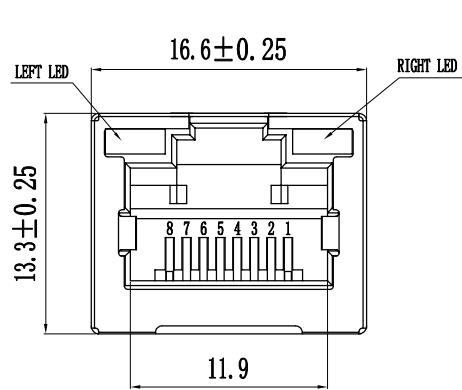


RoHS compliant



SUGGESTED PCB LAYOUT
(TOP VIEW)

NOTES

MECHANICAL:

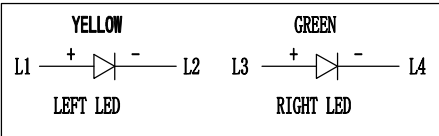
1. HOUSING MATERIAL: PBT BLACK UL94V-0
2. INSERT MATERIAL: PBT BLACK UL94V-0
3. CONTACT MATERIAL: PHOSPHOR BRONZE Ø0.46mm.
4. PLATING: GOLD PLATING AT CONTACT AREA, NICKEL 30u" MIN. OVER ALL
5. SHIELD: BRASS T=0.20mm PLATED NICKEL 30u" Min .
6. OPERATING LIFE: 750 CYCLES MIN.
7. MATING/UNMATING FORCE: 30N/3.06KGf MAX
8. RETENTION STRENGTH: 50N MIN. FOR 60S ± 5S

ELECTRICAL:

1. VOLTAGE RATING: 125 VAC RMS.
2. CURRENT RATING: 1.5 AMP.
3. CONTACT RESISTANCE : 30mΩ MAX.
4. INSULATION RESISTANCE: 1000MΩ MIN. AT 500V DC .
5. DIELECTRIC STRENGTH: 1000V AC OR 1500V DC RMS AT 0.5mA 50Hz/60Hz FOR 1MINUTE.
6. LED OPERATION VOLTAGE: 1.8~2.6V.
7. LED OPERATION CURRENT: 20 mA Max.

ENVIRONMENTAL:

1. STORAGE: -40°C TO +85°C RELATIVE HUMIDITY < 80%.
2. GUARANTEE PERIOD: 12 MONTHS
3. OPERATION: -40°C TO +85°C.



CODE	LED-L (LEFT)	LED-R (RIGHT)	CODE	LED-L (LEFT)	LED-R (RIGHT)
0	NO-LED	NO-LED	A	GREEN/RED (绿/红)	GREEN/RED (绿/红)
1	GREEN (绿色)	YELLOW (黄色)	B	GREEN/YELLOW (绿/黄)	GREEN/YELLOW (绿/黄)
2	YELLOW (黄色)	GREEN (绿色)	C	YELLOW (黄色)	GREEN/ORANGE (绿/橙)
3	GREEN (绿色)	GREEN (绿色)	D	YELLOW (黄色)	GREEN/YELLOW (绿/黄)
4	RED (红色)	GREEN (绿色)	E	GREEN (绿色)	YELLOW/ORANGE (黄/橙)
5	YELLOW (黄色)	YELLOW (黄色)	F	GREEN (绿色)	GREEN/ORANGE (绿/橙)
6	GREEN (绿色)	RED (红色)			

TOLERANCE UNLESS OTHERWISE SPEC		品名 Classification	
BASIC DIMENSION	TOLERANCE	52T 1X1 8P8C 屏蔽无边带灯 左黄右绿	
.X	±0.5	料号 Material No	
.XX	±0.35	图样标记	数量 QTY
.XXX	±0.25	标记 Mark	重量 Weight
ANGLES	±0.5°	处数 Number of places	比例 SCALE
		文件号 Doc.No.	尺寸 SIZE
		签名 Sign	单位 UNIT
		日期 Date	1:1 M
		设计 Designed	共 1 张 第 1 张
		校对 Proofread	Coorle Technology
		工艺 Technology	
		标准化 Standardize	
		审核 Check	TEL: 0769-81585156
		批准 APPROVED	FAX: 0769-81605156